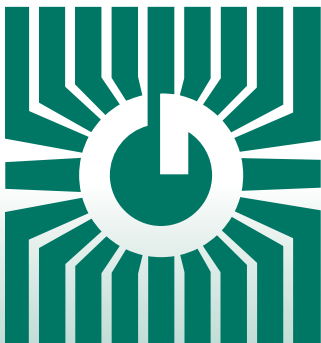


# GREYSTONE ENERGY SYSTEMS INC



## HUMIDITY/TEMPERATURE TRANSMITTER c/w SETPOINT ADJUSTMENTS SPC Series



### Precision humidity/temperature control/sensing

#### FEATURES:

- Dual humidity and temperature outputs
- Humidity and/or temperature setpoint adjustment outputs
- Current and voltage models
- LCD indication
- Highly stable RH sensor element
- Attractive, low profile enclosure
- Installer friendly wiring access

*Peace of mind  
through reliable  
humidity/temperature  
monitoring*

GREYSTONE HAS AN ISO 9001 REGISTERED QUALITY SYSTEM

## DESCRIPTION:

The SPC Temperature/humidity transmitter incorporates two sensors in one attractive wall mount enclosure for the most efficient environmental monitoring and control system. It uses a field-proven RH sensor to monitor relative humidity and a curve-matched thermistor to measure temperature.

Two setpoint controls are also available for temperature and humidity adjustment. The device may also include an occupancy override button and an external communication jack. Both measurements and setpoint signals are available on separate outputs as linear 4-20 mA, 0-5 or 0-10 Vdc signals.

Several configurations of the device are available with one to four outputs as required. An LCD is included for configuration and local indication of all parameters. Several operating parameters can be programmed using a keypad for specific applications including four temperature ranges and C/F display.

## SPECIFICATIONS:

### General

Power Supply.....	24Vac/dc $\pm 10\%$ (non-isolated half-wave rectified)
Consumption.....	20 mA + (20ma x number of outputs) max @ 24 Vdc
Input Voltage Effect.....	Negligible over specified operating range
Protection Circuitry.....	Reverse voltage and MOV protected and output limited
Output Signals.....	4-20 mA active (sourcing) or 0-5 Vdc or 0-10 Vdc (specify when ordering)
Output Resolution.....	10 bit for all signals
Output Drive Capability.....	550 ohm max for current 10Kohm min for voltage
Programming and Selection	Via push buttons and on-screen menu
Operating Conditions.....	0°-50°C (32°-122°F) 0-95% RH non-condensing
Wiring Connections.....	Screw terminal block (14 to 22 AWG)
Enclosure.....	White ABS - IP30 (NEMA 1) 84mmW x 117mmH x 29mmD (3.3" x 4.6" x 1.15")

### LCD Display

Display Size.....	38.1 x 16.5 mm (1.5" x 0.65")
Digit Height.....	11.43 mm (0.45")
Symbols.....	°C, °F, %RH, OCC
Backlight.....	Enable or disable via menu

### Temperature

Accuracy.....	$\pm 0.2^{\circ}\text{C}$ ( $\pm 0.4^{\circ}\text{F}$ )
Range.....	0° to 35°C (32° to 95°F) or 0° to 50°C (32° to 122°F) programmable
Offset.....	$\pm 9^{\circ}\text{F}$ programmable
Display Units.....	°C or °F programmable
Display Resolution.....	0.5° <100°, 1° >100°

### Temperature Setpoint

Midpoint.....	18° to 27°C or 65° to 80°F programmable
Range.....	$\pm 2$ to $\pm 10^{\circ}\text{C}$ or $\pm 5$ to $\pm 20^{\circ}\text{F}$ of the midpoint, programmable
Resolution.....	0.5 or 1.0°C and 1.0 or 2°F programmable

### Humidity

Sensor.....	Thermoset polymer based capacitive
Accuracy.....	$\pm 2, 3$ or 5% RH
Range.....	0 to 100% RH
Temperature Compensation.....	0° to 50°C (32° to 122°F)
Hysteresis.....	$\pm 3\%$ RH
Response Time.....	15 seconds typical
Stability.....	$\pm 1.2\%$ RH typical @ 50% RH in 5 years
Offset.....	$\pm 20\%$ RH programmable

### Humidity Setpoint

Midpoint.....	20 to 70% RH programmable
Range.....	$\pm 5, \pm 10$ or $\pm 20\%$ RH of the midpoint, programmable
Resolution.....	1% RH

### Manual Override

Type.....	Front panel, momentary pushbutton
Ratings.....	50 mA @ 12 Vdc, N.O., SPST

### Occupied Input

Signal Type.....	Digital input, 0/5 Vdc standard, active low
Action.....	Causes "OCC" segment to light on LCD

### Fan Speed Switch

Type.....	Side mounted, 5 position slide switch
Designators.....	Off, Auto, Low, Medium, High
Signal.....	2 wire, resistance output - 0, 2, 4, 6, 8 K $\Omega$ Custom ranges available, contact Greystone

### Communications

3.5mm phono jack.....	Ring/Mid/Tip connections to a 3-pin terminal block
-----------------------	--

## PRODUCT ORDERING INFORMATION:

MODEL	Product Description
SPC	Room Humidity/Temperature Transmitter

CODE	Product Parameters
01	Humidity transmitter c/w setpoint control
02	Temperature transmitter c/w setpoint control
04	Humidity and temperature transmitter c/w setpoint control for temperature only
05	Humidity and temperature transmitter c/w setpoint control for humidity only
06	Humidity and temperature transmitter c/w setpoint control for humidity and temperature

CODE	Outputs
I	4-20mA
V	0-5Vdc or 0-10 Vdc (Jumper selectable)

CODE	RH Accuracy (Not applicable on "02" model, leave blank)
02	2 %
03	3 %
05	5 %

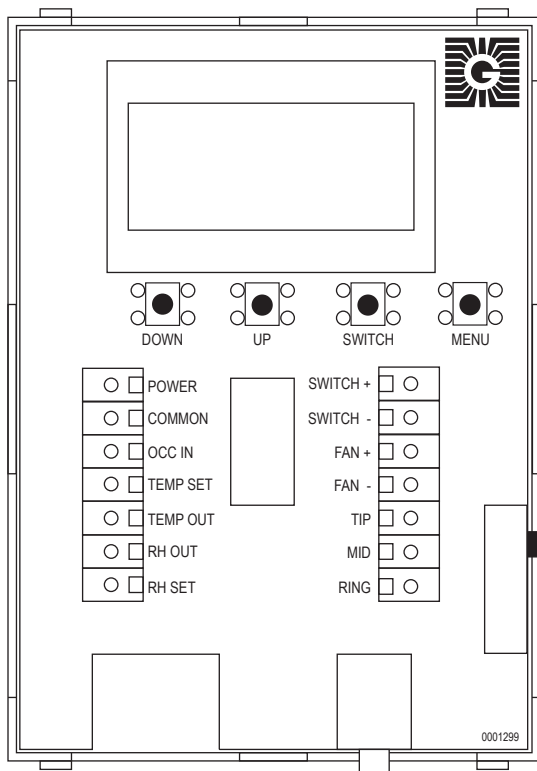
CODE	Options (Multiple selections can be made)
S	Front panel push button momentary switch (NO)
J	External jack for remote system access (3.5 mm phono)
F	Fan Speed Switch, 5 position, (Off, Auto, Low, Mid, High)

SPC	06	I	03	S
-----	----	---	----	---

Greystone Energy Systems, Inc. reserves the right to make design modifications without prior notice.

## PCB/WIRING INFORMATION



### Terminal

### Function

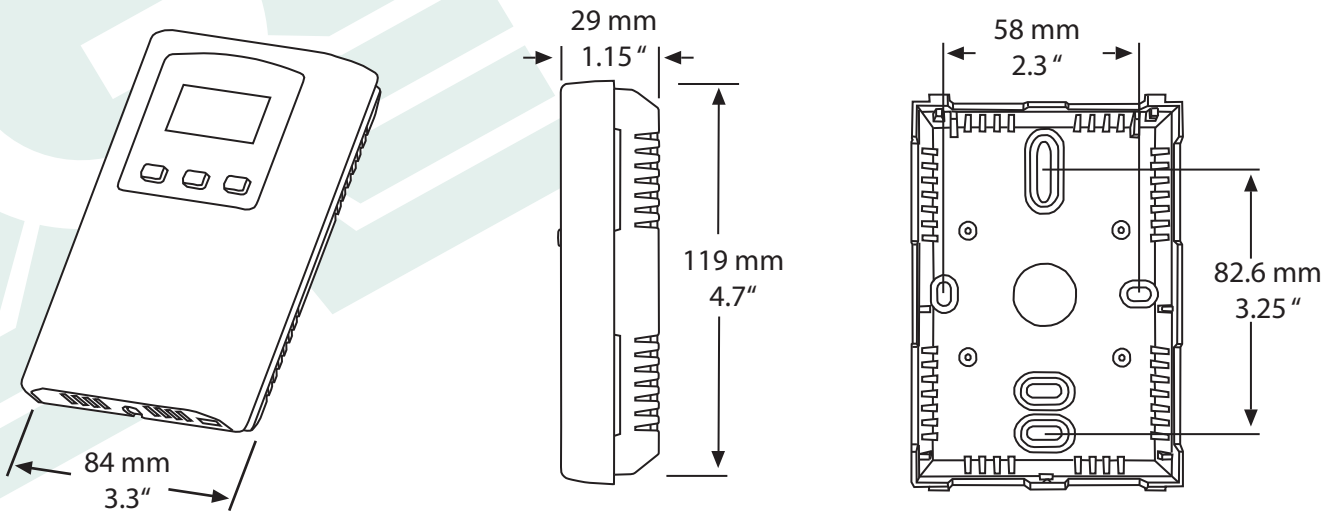
POWER	From +24 Vac/dc of controller or power supply
COMMON	To GND or COMMON of controller
OCC IN	To digital output of controller
TEMP Setpoint	To analog input of controller 4-20 mA or 0-5 Vdc or 0-10 Vdc
TEMP Output	To analog input of controller 4-20 mA or 0-5 Vdc or 0-10 Vdc
RH Output	To analog input of controller 4-20 mA or 0-5 Vdc or 0-10 Vdc
RH Setpoint	To analog input of controller 4-20 mA or 0-5 Vdc or 0-10 Vdc
SWITCH +	To digital input of controller
SWITCH -	To GND or COMMON of controller
FAN +	To analog input of controller Resistance input
FAN -	To GND or COMMON of controller
TIP	External Jack TIP (tip of plug) connection
MID	External Jack MID (middle of plug) connection
RING	External Jack RING (base of plug) connection

\* Some models do not have all these features

\*\*To save on number of connection wires, all GND or COMMON may be connected together.

\*\*\*Illustration shows standard wiring configuration. Custom configurations are available. Please contact Greystone.

## DIMENSIONS:



## ACCESSORIES:



### A35R

A multi-purpose screw driver that includes a standard flat screwdriver and a 1/16" allen key, and can be used on all Greystone wall sensors.

Greystone Energy Systems, Inc. reserves the right to make design modifications without prior notice.



# GREYSTONE

ENERGY SYSTEMS INC

Greystone Energy Systems, Inc.  
 150 English Drive, Moncton,  
 New Brunswick, Canada E1E 4G7  
 (506) 853-3057 Fax: (506) 853-6014  
 North America: 1-800-561-5611  
 e-mail: mail@greystoneenergy.com  
 www.greystoneenergy.com

**RoHS**  
COMPLIANT



*Greystone Energy Systems Inc. is one of North America's largest ISO registered manufacturers of HVAC/R sensors and transmitters for Building Automation Management Systems.*

*We have conscientiously established a worldwide reputation as an industry leader by maintaining leading-edge design technology, prompt technical support, and a commitment to on-time deliveries. We take pride in our Quality Management System which is ISO 9001 certified, assuring our customers of consistent product reliability.*

GREYSTONE HAS AN **ISO 9001** REGISTERED QUALITY SYSTEM